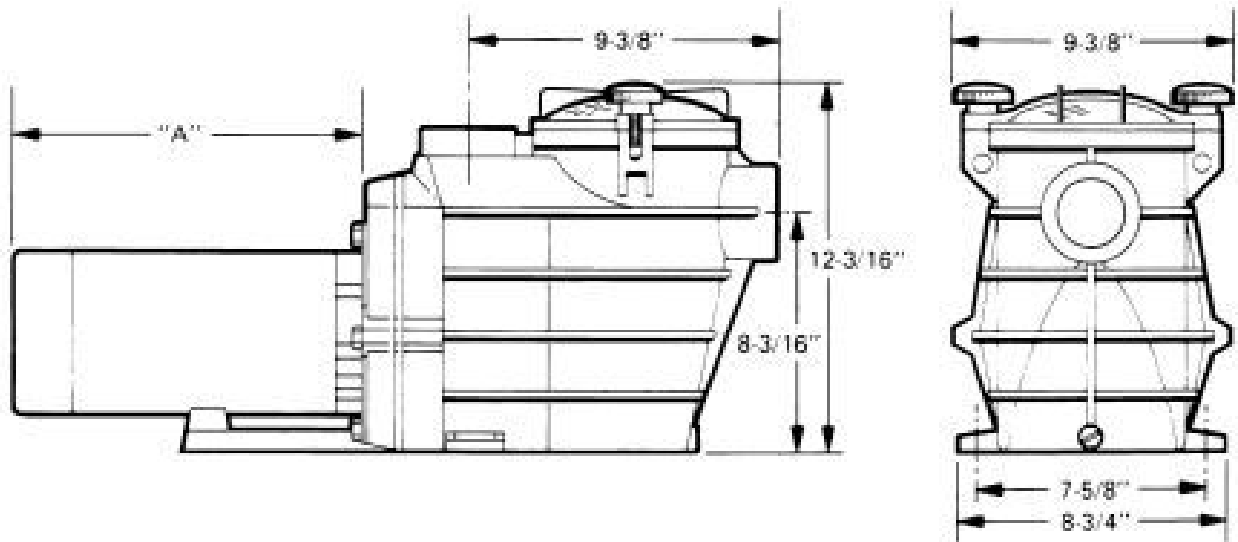


Hayward Super II Dimensions and Performance Data



Hayward Super 2 Performance Data

Pump Output (GPM) vs. Total Resistance To Flow (Feet of Head)

Model No. Max Rated	Model No. Full Rated	40 ft	50 ft	60 ft	70 ft	80 ft	90 ft
SP3005X7AZ		47	38	26	12	-	-
SP3007X10AZ	SP3007EECA	63	55	46	32	-	-
SP3010X15AZ	SP3010EEAZ	89	80	69	56	34	-
SP3015X20AZ	SP3015EEAZ	112	102	90	75	56	-
SP3020X25AZ	SP3020EEAZ	132	118	103	86	62	-
SP3025X30AZ	SP3025EEAZ	157	146	133	118	102	80
	SP303063AZ	157	146	133	118	102	80

